



Model 201

TRANSPORTER - 60° CONE

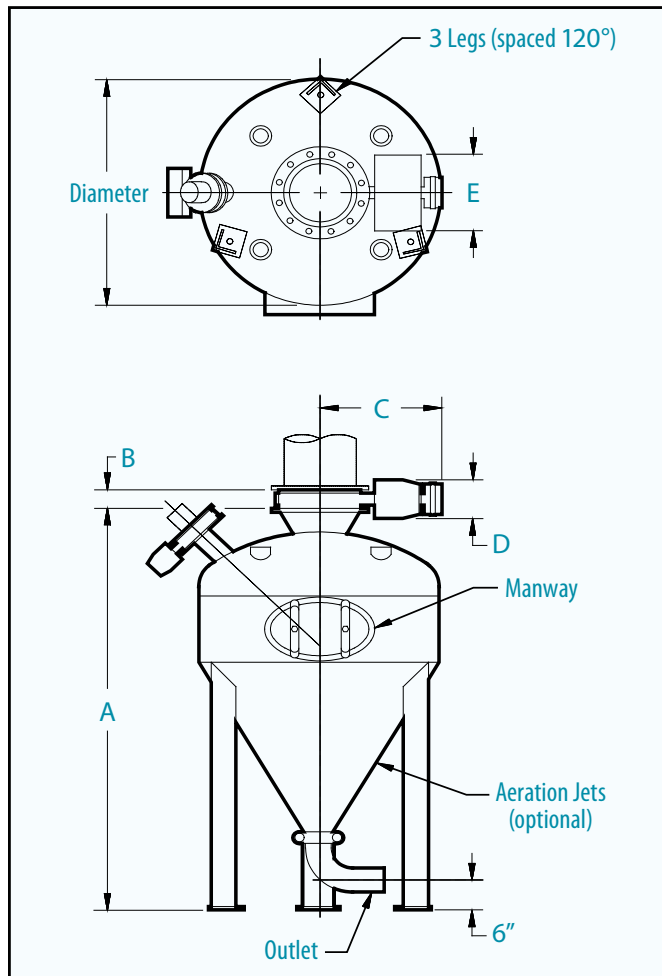
NOL-TEC transporters are designed to provide trouble-free dense phase pneumatic conveying of most materials.

STANDARD FEATURES:

- Heavy-duty design
- Smooth interior
- 60° cone
- Manway
- Erosion allowances on wear surfaces
- Butterfly valve with pneumatic actuator
- Rotatable outlet

SPECIFICATIONS:

- **Design pressure:** 90 PSIG
- **Temperature range:** -20° F to +650° F



OPTIONAL FEATURES:

- Aeration jets
- Interior coatings
- Multiple inlets
- Stainless steel construction
- Higher pressure and temperature ratings

CODES:

- A.S.M.E. Section VIII with National Board registration

TRANSPORTER				
MODEL	CAPACITY	A	DIAMETER	SHIP WEIGHT
16-60-00.5	.5 ft ³	2' 6"	1' 4"	145 lb
16-60-001	1 ft ³	2' 10"	1' 4"	160 lb
24-60-02.5	2.5 ft ³	3' 6"	2'	270 lb
24-60-005	5 ft ³	4' 6"	2'	295 lb
36-60-010	10 ft ³	5' 3"	3'	880 lb
36-60-015	15 ft ³	6'	3'	1,000 lb
42-60-020	20 ft ³	6' 3"	3' 6"	1,100 lb
42-60-030	30 ft ³	7' 6"	3' 6"	1,250 lb
42-60-040	40 ft ³	8' 6"	3' 6"	1,400 lb
54-60-060	60 ft ³	9'	4' 6"	1,975 lb
54-60-080	80 ft ³	10' 3"	4' 6"	2,275 lb
54-60-100	100 ft ³	11' 6"	4' 6"	2,575 lb
72-60-150	150 ft ³	12' 3"	6'	3,450 lb
72-60-200	200 ft ³	14'	6'	4,200 lb
72-60-250	250 ft ³	15' 9"	6'	4,975 lb
96-60-500	500 ft ³	18' 9"	8'	8,750 lb
120-60-750	750 ft ³	20' 3"	10'	10,000 lb
120-60-1000	1,000 ft ³	23' 6"	10'	11,500 lb

INLET VALVE					
SIZE	B	C	D	E	SHIP WEIGHT
6"	2.12"	20.5"	5"	12"	50 lb
8"	2.5"	20.5"	6"	10.88"	60 lb
10"	2.5"	21.25"	6"	10.88"	75 lb
12"	3"	23.75"	8"	15.75"	150 lb
16"	4"	26.63"	8"	20"	300 lb
18"	4.25"	28.25"	8"	20"	335 lb
20"	6"	29.63"	8"	20"	425 lb

Specifications subject to change without notice.

Nol-Tec Systems, Inc.
 425 Apollo Drive
 Lino Lakes, MN 55014
 (651) 780-8600 • (651) 780-4400 fax
 sales@nol-tec.com • www.nol-tec.com