



Model 202

# TRANSPORTER - 45° CONE

*NOL-TEC transporters are designed to provide trouble-free dense phase pneumatic conveying of most materials.*

**STANDARD FEATURES:**

- Heavy-duty design
- Smooth interior
- 45° cone
- Manway
- Erosion allowances on wear surfaces
- Butterfly valve with pneumatic actuator
- Rotatable outlet

**SPECIFICATIONS:**

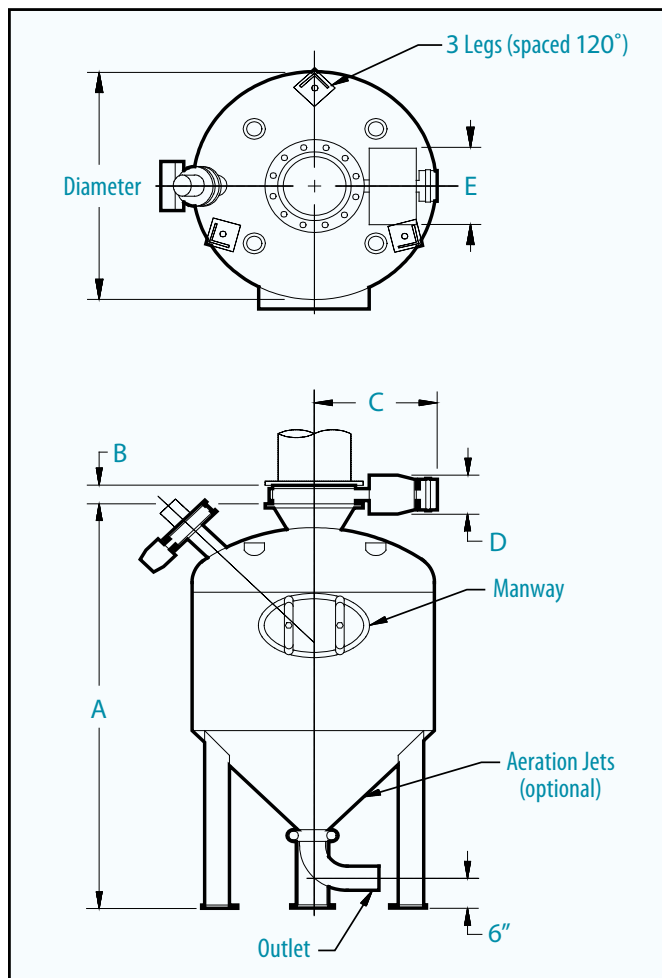
- **Design pressure:** 90 PSIG
- **Temperature range:** -20° F to +650° F

**OPTIONAL FEATURES:**

- Aeration jets
- Interior coatings
- Multiple inlets
- Stainless steel construction
- Higher pressure and temperature ratings

**CODES:**

- A.S.M.E. Section VIII with National Board registration



| TRANSPORTER |                     |        |          |             |
|-------------|---------------------|--------|----------|-------------|
| MODEL       | CAPACITY            | A      | DIAMETER | SHIP WEIGHT |
| 36-45-010   | 10 ft <sup>3</sup>  | 4' 8"  | 3'       | 900 lb      |
| 42-45-020   | 20 ft <sup>3</sup>  | 5' 8"  | 3' 6"    | 1,220 lb    |
| 42-45-030   | 30 ft <sup>3</sup>  | 7'     | 3' 6"    | 1,720 lb    |
| 42-45-040   | 40 ft <sup>3</sup>  | 8'     | 3' 6"    | 1,890 lb    |
| 54-45-060   | 60 ft <sup>3</sup>  | 8' 6"  | 4' 6"    | 2,030 lb    |
| 54-45-080   | 80 ft <sup>3</sup>  | 9' 6"  | 4' 6"    | 2,300 lb    |
| 54-45-100   | 100 ft <sup>3</sup> | 10' 9" | 4' 6"    | 2,570 lb    |
| 72-45-150   | 150 ft <sup>3</sup> | 11'    | 6'       | 3,360 lb    |
| 72-45-200   | 200 ft <sup>3</sup> | 12' 9" | 6'       | 3,860 lb    |
| 72-45-250   | 250 ft <sup>3</sup> | 14' 9" | 6'       | 4,360 lb    |
| 96-45-500   | 500 ft <sup>3</sup> | 17'    | 8'       | 8,000 lb    |
| 120-45-750  | 750 ft <sup>3</sup> | 18'    | 10'      | 10,000 lb   |

| INLET VALVE |       |        |    |        |             |
|-------------|-------|--------|----|--------|-------------|
| SIZE        | B     | C      | D  | E      | SHIP WEIGHT |
| 8"          | 2.5"  | 20.5"  | 6" | 10.88" | 60 lb       |
| 10"         | 2.5"  | 21.25" | 6" | 10.88" | 75 lb       |
| 12"         | 3"    | 23.75" | 8" | 15.75" | 150 lb      |
| 16"         | 4"    | 26.63" | 8" | 22"    | 300 lb      |
| 18"         | 4.25" | 28.25" | 8" | 22"    | 335 lb      |
| 20"         | 6"    | 29.63" | 8" | 22"    | 425 lb      |

*Specifications subject to change without notice.*